

RIGA #20785

thermostatic valve trim kit for #90701 valve



FEATURES

- Square trim
- Handle for 2-way diverter with integrated volume control
- Handle for thermostatic mixing valve
- Safety temperature stop, preset at 38°C
- Thermostatic valve rough and cartridge not included

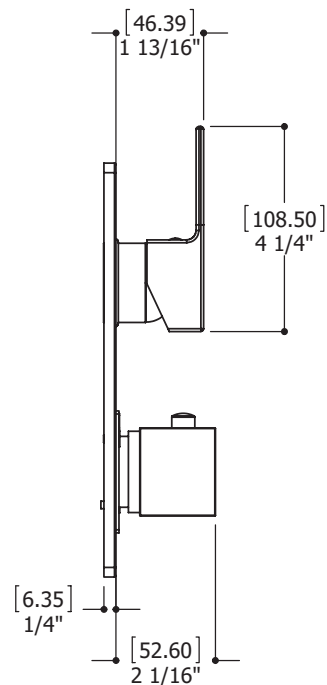
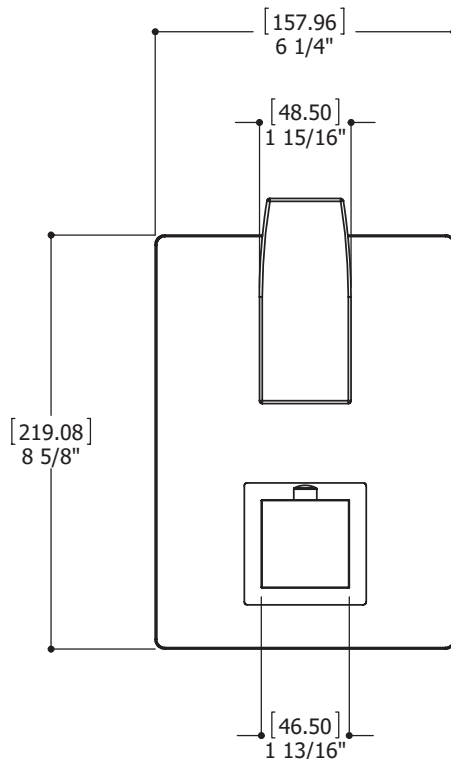
FINISH

Polished chrome (pc)

WARRANTY

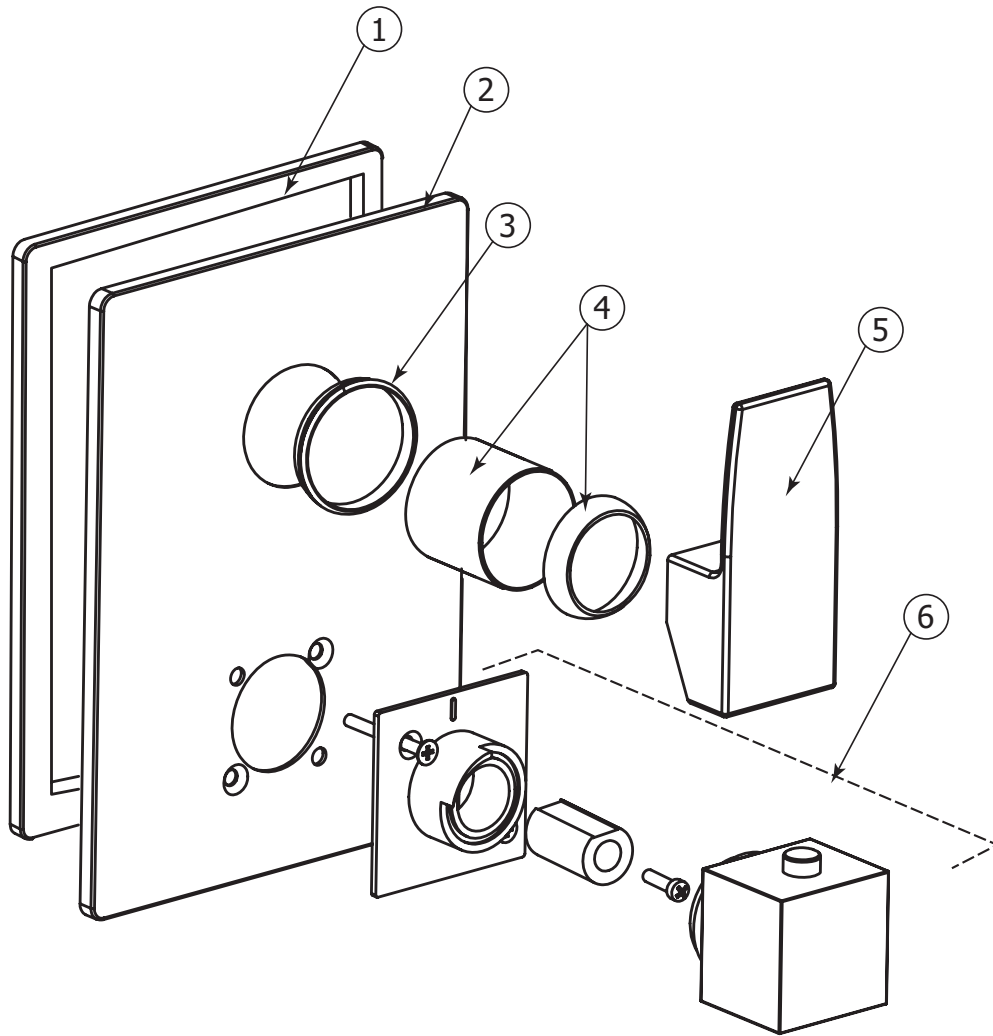
limited lifetime warranty on all cartridges and also on the polished chrome finish. All other components and parts carry a limited five-year warranty.

CODE & COMPLIANCE



last revision : 21/08/2012

TRIM COMPONENTS



EXPLOSION PARTS

- 1 ALT7-90-671-01: adhesive seal
- 2 ALT7-90-651-01: trim plate
- 3 ALT7-90-672-00: seal ring
- 4 ALT7-90-673-01: decorative sleeve kit
- 5 ALT7-20-774-01: diverter handle
- 6 ALT7-90-675-01: thermostatic handle kit