

# Collection 1840

## #91882

Thermostatic shower system - 2 functions



### FEATURES

Uniplex T.2.3 - 1/2" thermo valve with 2-way diverter )  
shared functions (#90801)  
Trim set (handles included) (#18892)  
9" rainhead (#90813)  
18" shower wall arm (#90748)  
4" arm for ceiling installation included  
3-function complete shower rail with 5' double interlock  
flexible hose (chrome-01) or 5' PVC hose (Electro Black-41)  
(#90840)  
Adjustable waterway (#90734)

### FINISH

Polished chrome (01)  
Electro black (41)

### WARRANTY

Complete warranty available at <https://alt-aqua.com/warranty/>

### CODE & COMPLIANCE



## Uniplex T .2.3 1/2" thermostatic valve with diverter 2 or 3 way



### FEATURES

- Solid brass
- German made cartridges (diverter cartridge not included)
- Service check valves / stop valves
- Optional top outlet 1/2" NPT
- Reversible service check valves with / stop valves
- Diverter test cap
- 1/2" female water inlets/outlets - NPT/sweat
- Flow rate: 6.5 gpm (24.6 L/min)

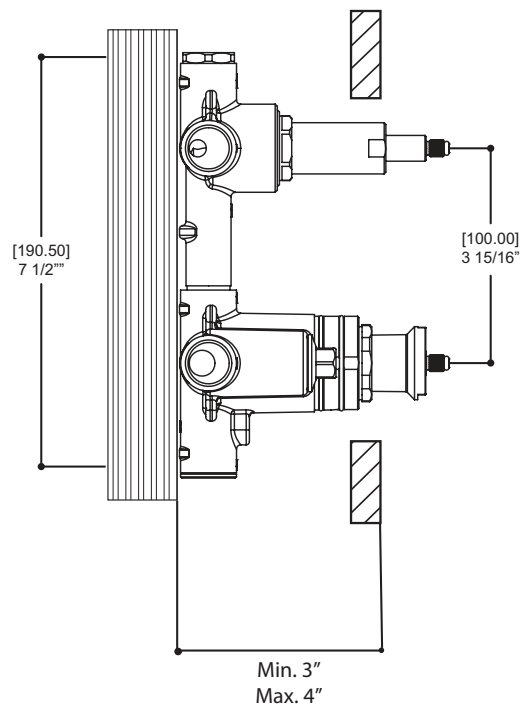
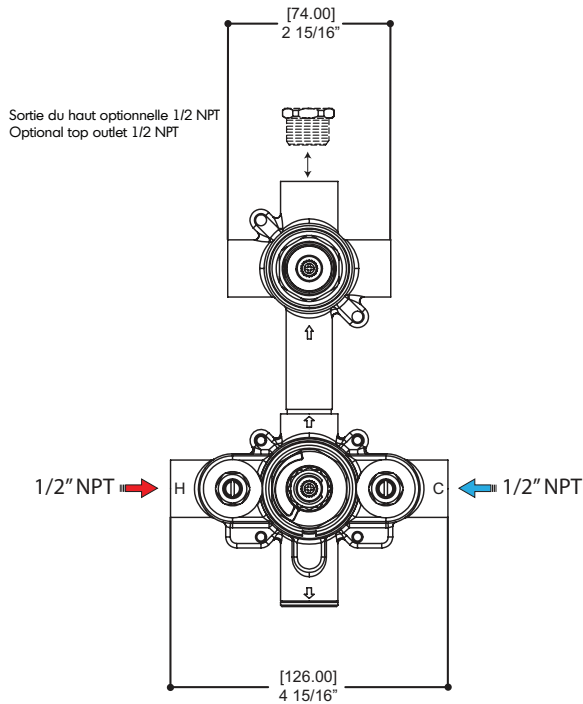
### FINISH

Polished chrome (pc)

### WARRANTY

Limited lifetime warranty on all cartridges and also on the polished chrome finish. All other components and parts carry a limited five-year warranty.

### CODE & COMPLIANCE



# Collection 1840

## #18892-18882

Trim set for Uniplex thermostatic valve - 2-way diverter  
 for Uniplex T.2.3 valve



### FEATURES

- Round trim
- Single temperature control
- Ceramic diverter cartridge and handles included
- Flow rate: 6.5 gpm (24.6 L/min.) at 45 psi
- Uniplex T.2.3 valve rough not included
- Safety temperature limit stopper

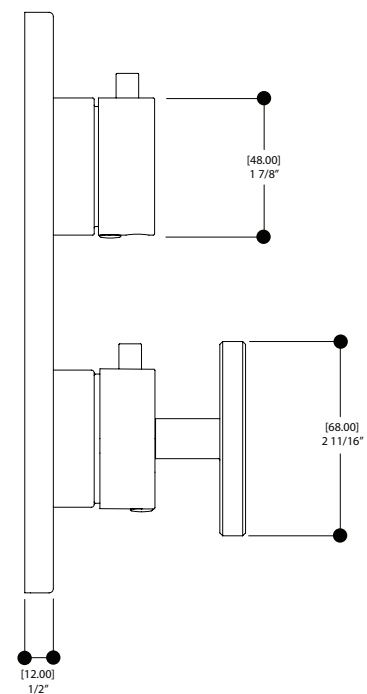
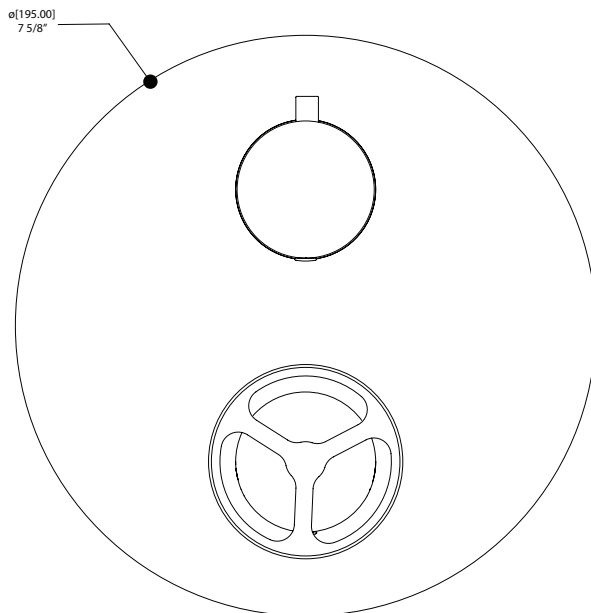
### FINISH

- Polished chrome (pc)
- Electro black (ebk)

### WARRANTY

limited lifetime warranty on all cartridges and also on the polished chrome finish. All other components and parts carry a limited five-year warranty.

### CODE & COMPLIANCE



# 9" RAINHEAD # 90813



## FEATURES

9" rainhead  
 Single function  
 Swiveling ball joint  
 Reduced water-efficient flow: 2 gpm (7.5 L/min)

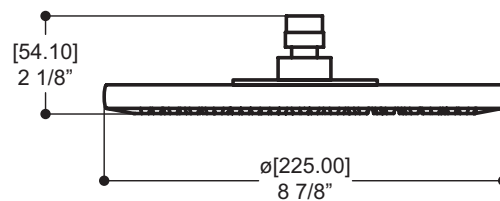
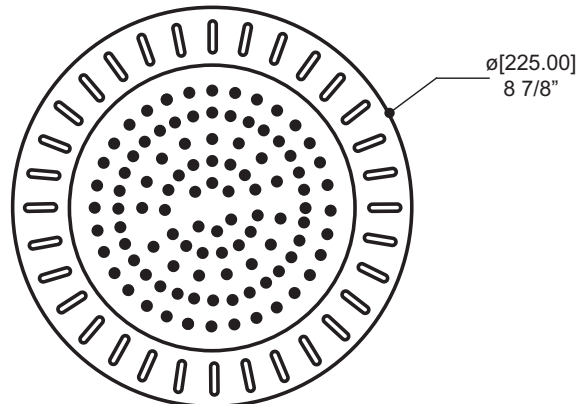
## FINISH

Polished chrome (pc)

## WARRANTY

limited lifetime warranty on the polished chrome finish. All other components and parts carry a limited five-year warranty.

## CODE & COMPLIANCE



# ROUND ARM #90748



## FEATURES

18" round arm (wall installation)  
Solid brass  
Round flange  
1/2" male water inlet - NPT

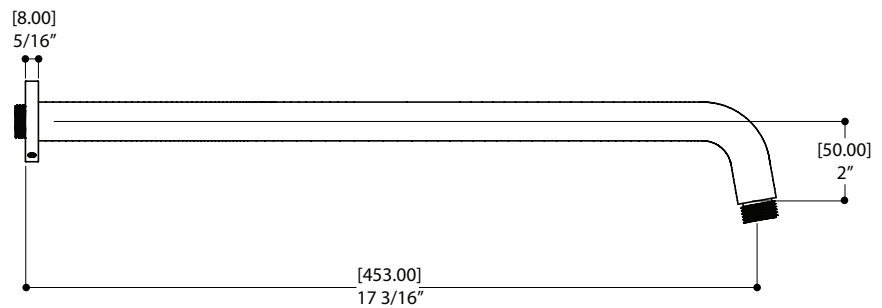
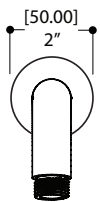
## FINISH

Polished chrome (01)  
Electro black (41)

## WARRANTY

Complete warranty available at <https://alt-aqua.com/warranty/>

## CODE & COMPLIANCE





# ROUND SHOWER RAIL

## # 90840



### FEATURES

- 31.5" stainless steel round rail with adjustable handshower support
- Top pivot position adaptable (up to 29 1/2" CC)
- Triple function round handshower (rain, massage, mist)
- 5' double interlock flexible hose, anti-torsion
- Reduced water-efficient flow: 2 gpm (7.5 L/min)

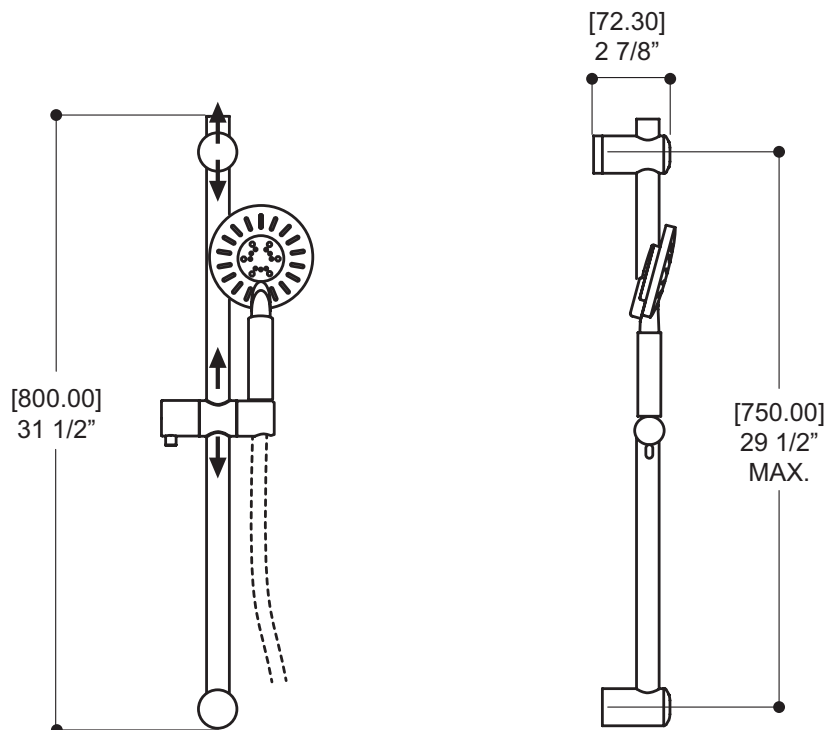
### FINISH

Polished chrome (pc)

### WARRANTY

limited lifetime warranty on the polished chrome finish. All other components and parts carry a limited five-year warranty.

### CODE & COMPLIANCE



# ADJUSTABLE WATERWAY

## # 90734



### FEATURES

Innovative 5/8" trim adjustment system to elbow installation  
 1/2" female water inlet - NPT

### FINISH

Polished chrome (pc)

### WARRANTY

limited lifetime warranty on the polished chrome finish. All other components and parts carry a limited five-year warranty.

### CODE & COMPLIANCE

