

MISTO

Thermostatic shower system – 2 functions

#91382



Uniplex T .2.3 1/2" thermostatic valve with diverter 2 or 3 way



FEATURES

- Solid brass
- German made cartridges (diverter cartridge not included)
- Service check valves / stop valves
- Optional top outlet 1/2" NPT
- Reversible service check valves with / stop valves
- Diverter test cap
- 1/2" female water inlets/outlets - NPT/sweat
- Flow rate: 6.5 gpm (24.6 L/min)

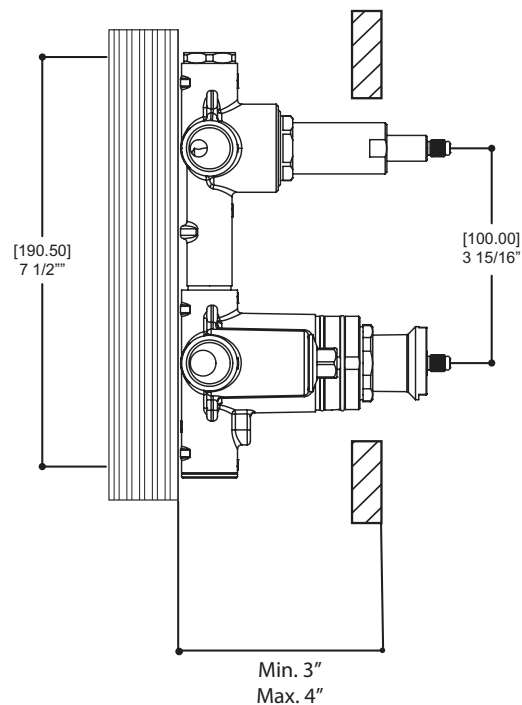
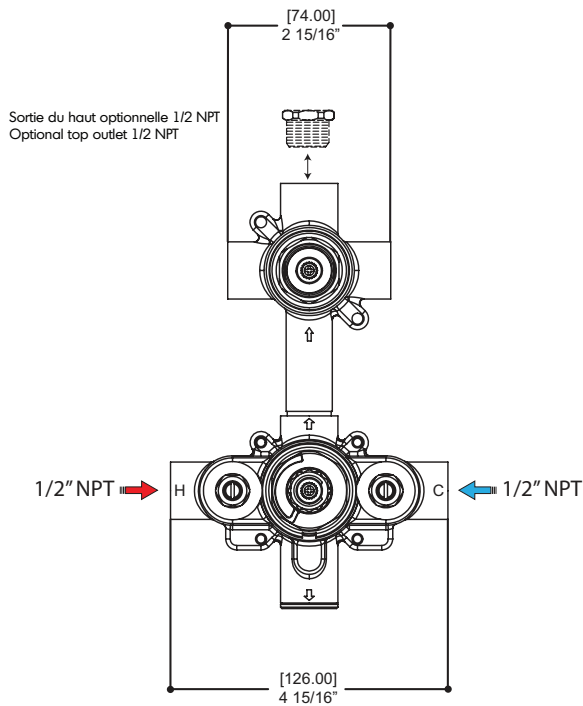
FINISH

Polished chrome (pc)

WARRANTY

Limited lifetime warranty on all cartridges and also on the polished chrome finish. All other components and parts carry a limited five-year warranty.

CODE & COMPLIANCE



VIA-DANTE

30892-30882

thermostatic valve trim kit with diverter for #90801



FEATURES

Rectangular trim
 Single temperature control
 Safety temperature stop, preset at 38 C
 German made diverter cartridge included (2-way shared #30892 or non-shared #30882)
 Handles included
 Thermostatic valve Uniplex T.2.3 not included

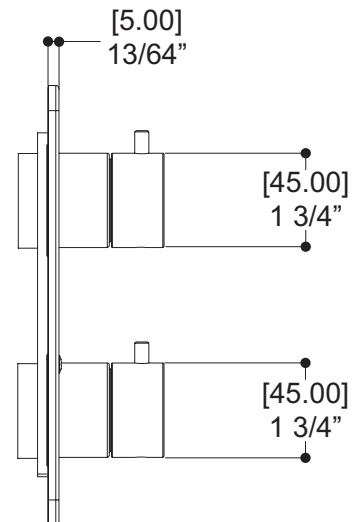
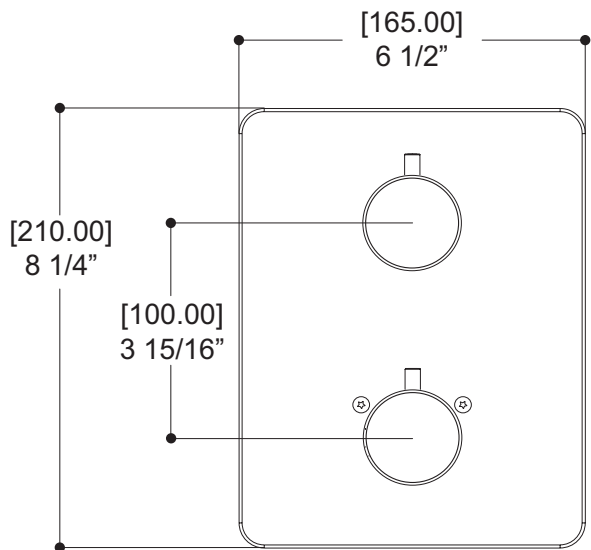
FINISH

Polished chrome (pc)

WARRANTY

limited lifetime warranty on all cartridges and also on the polished chrome finish. All other components and parts carry a limited five-year warranty.

CODE & COMPLIANCE



16" SQUARE SHOWER ARM

#90767



FEATURES

16" shower arm (wall installation)
 Solid brass
 Square flange
 1/2" female water inlet - NPT

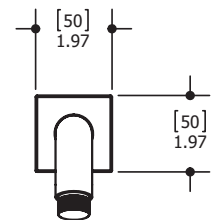
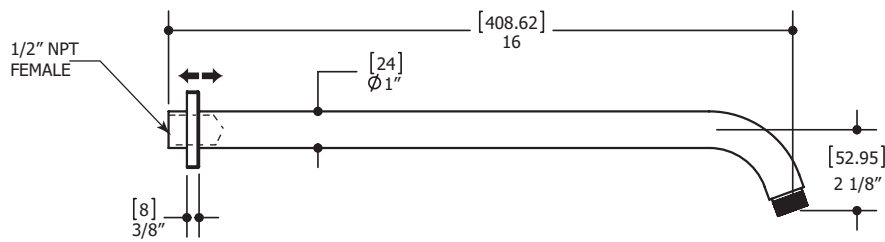
FINISH

Polished chrome (pc)

WARRANTY

limited lifetime warranty on the polished chrome finish. All other components and parts carry a limited five-year warranty.

CODE & COMPLIANCE



4" SQUARE SHOWER ARM

90857



FEATURES

4" arm (ceiling installation)
 Solid brass
Square flange
 1/2" female water inlet - NPT

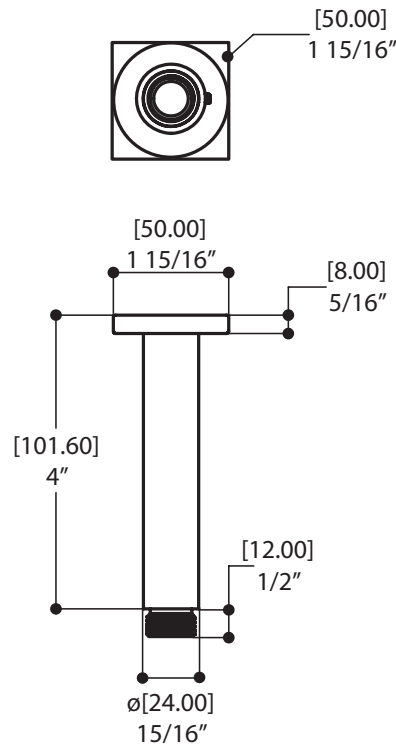
FINISH

Polished chrome (pc)

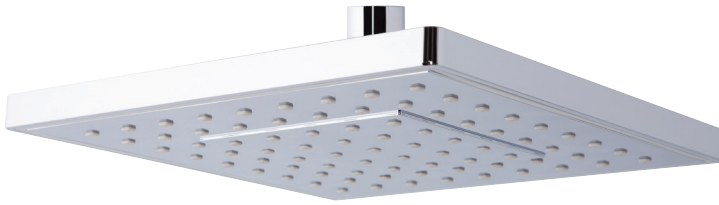
WARRANTY

limited lifetime warranty on the polished chrome finish. All other components and parts carry a limited five-year warranty.

CODE & COMPLIANCE



8" x 8" RAINHEAD # 90814



FEATURES

- 8" x 8" rainhead
- Single function square rainhead
- Swiveling ball joint
- Reduced water-efficient flow: 2 gpm (7.5 L/min)

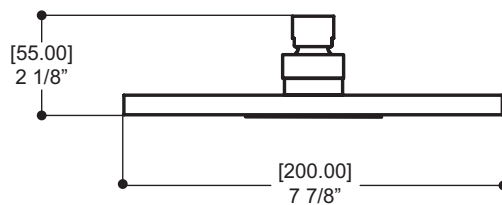
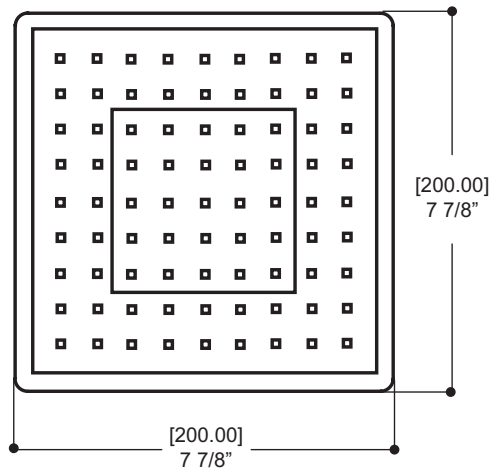
FINISH

Polished chrome (pc)

WARRANTY

limited lifetime warranty on the polished chrome finish. All other components and parts carry a limited five-year warranty.

CODE & COMPLIANCE



SQUARE SHOWER RAIL

90841



FEATURES

31.5" square rail with adjustable handshower support
 Triple function square handshower (rain,rain/
 massage,massage)
 5' double interlock flexible hose, anti-torsion
 Reduced water-efficient flow: 1.75 gpm (7.5 L/min)

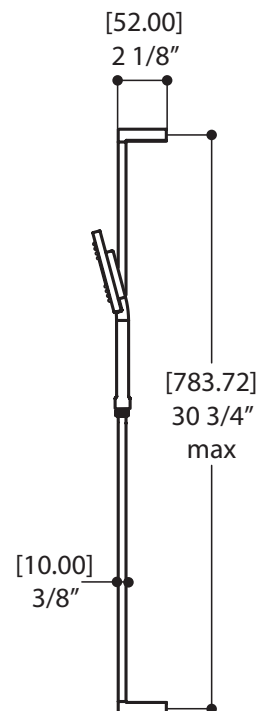
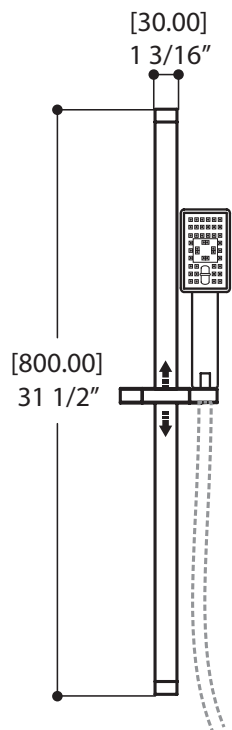
FINISH

Polished chrome (pc)

WARRANTY

limited lifetime warranty on the polished chrome finish. All other components and parts carry a limited five-year warranty.

CODE & COMPLIANCE



SQUARE WATERWAY

90735



FEATURES

Innovative 5/8" trim adjustment system to elbow installation
 1/2" female water inlet - NPT

FINISH

Polished chrome (pc)

WARRANTY

limited lifetime warranty on the polished chrome finish. All other components and parts carry a limited five-year warranty.

CODE & COMPLIANCE

