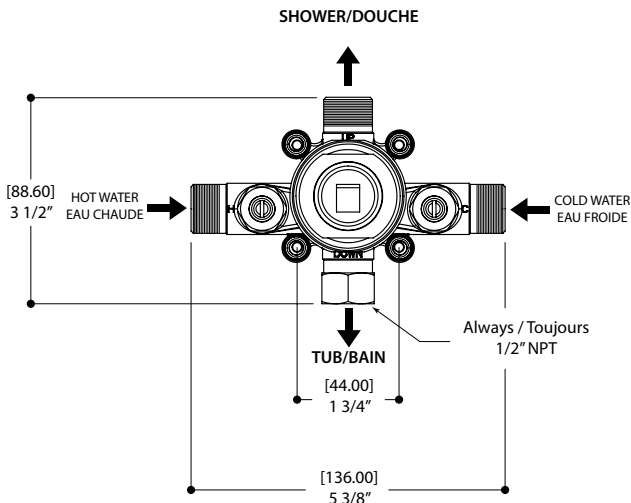
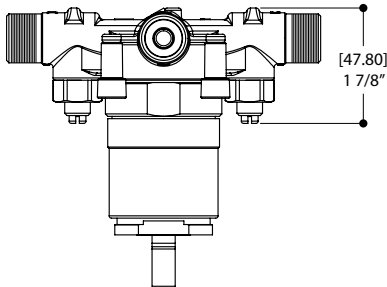
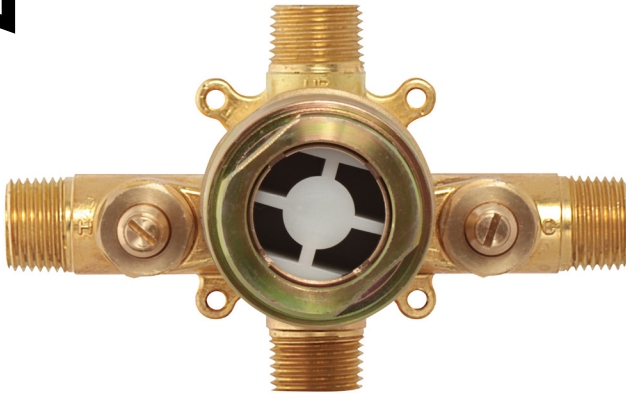


VIA DANTE

ThermOne Retro-Up shower system

#91785





FEATURES

Solid brass
Service check valves / stop valves
Thermostatically limited to within 42° C

Flow rate: 4.5gpm (17L/min) at 45psi

WARRANTY

Residential: Limited lifetime warranty to original purchaser
Commercial: Two years warranty
(Complete warranty available at www.aquabrass.com/warranty)



61234 NPT CONNECTION

- 1/2" male water inlets - NPT/sweat
- 1/2" male water outlets - NPT/sweat



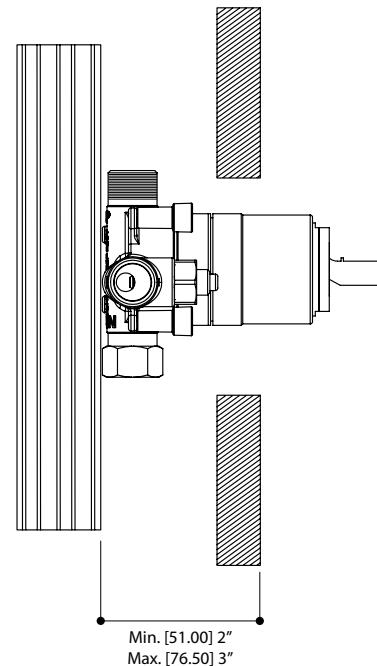
61236 PEX CONNECTION

- PEX water inlets and top outlet
- 1/2" male bottom water outlet - NPT/sweat



61238 WB CONNECTION

- WB water inlets and top outlet
- 1/2" male bottom water outlet - NPT/sweat



VIA DANTE #70232

pressure balance trim kit #61234 - #61236 - #61238



FEATURES

- Rectangular trim
- Single control lever
- Ceramic cartridge and handle included
- Pressure balance valve rough not included

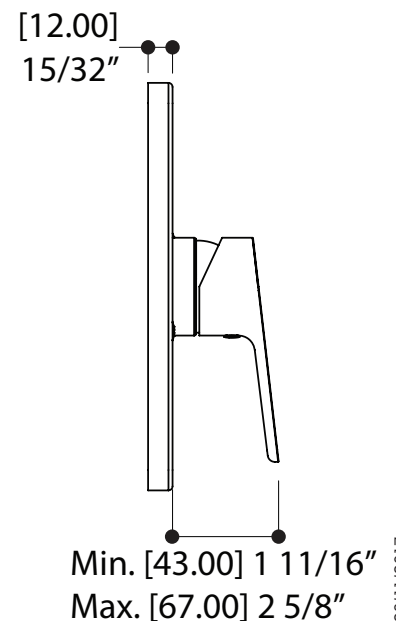
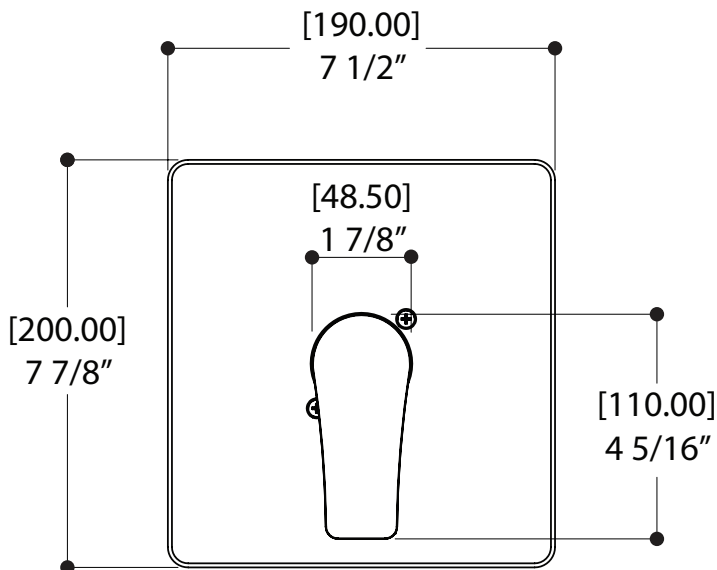
FINISH

Polished chrome (pc)

WARRANTY

Limited lifetime warranty on all cartridges and also on the polished chrome finish. All other components and parts carry a limited five-year warranty.

CODE & COMPLIANCE



COMPLETE RETRO-UP #90855

shower system



FEATURES

- 32" round rail with 17" projection
- Solid brass
- Adjustable sliding hook
- 9" rainhead
- Triple function round handshower (rain, massage, mist)
- 5' double interlock flexible hose, anti-torsion
- 1/2" NPT female inlet in the top position
- Allows easy upgrade of a standard shower

FINISH

Polished chrome (pc)

WARRANTY

limited lifetime warranty on all cartridges and also on the polished chrome finish. All other components and parts

