

## FEATURES

Solid brass  
Service check valves / stop valves  
Thermostatically limited to within 42° C

Flow rate: 4.5gpm (17L/min) at 45psi

## WARRANTY

Residential: Limited lifetime warranty to original purchaser  
Commercial: Two years warranty  
(Complete warranty available at [www.aquabrass.com/warranty](http://www.aquabrass.com/warranty))



### 61234 NPT CONNECTION

- 1/2" male water inlets - NPT/sweat
- 1/2" male water outlets - NPT/sweat



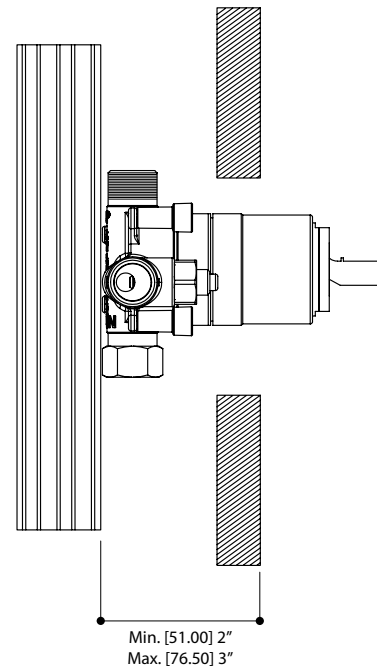
### 61236 PEX CONNECTION

- PEX water inlets and top outlet
- 1/2" male bottom water outlet - NPT/sweat



### 61238 WB CONNECTION

- WB water inlets and top outlet
- 1/2" male bottom water outlet - NPT/sweat



# RIGA # 20232

ThermOne trim kit for #61234 - #61236 - #61238



## FEATURES

Thermostatic cartridge pre-set to never exceed 42°C/108°F  
 Lift and rotate temperature / volume control using one single lever  
 THERMO-DRY™ -avoids any risks of hot/cold water cross contamination  
 Shower valve not included

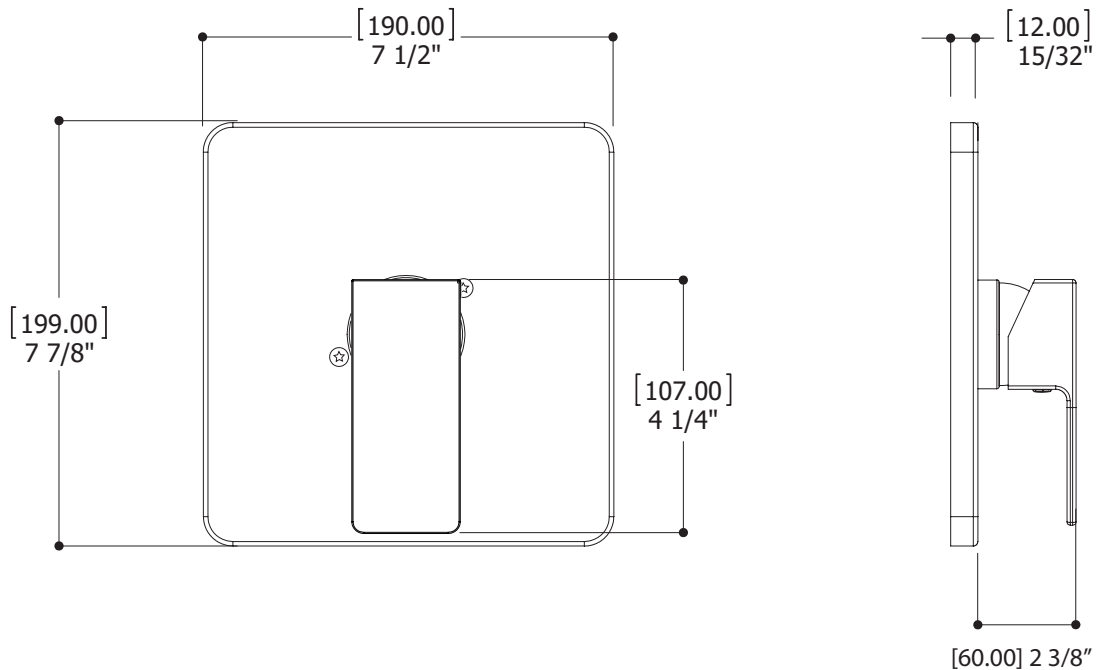
## FINISH

Polished chrome (pc)

## WARRANTY

Limited lifetime warranty on all cartridges and also on the polished chrome finish. All other components and parts carry a limited five-year warranty.

## CODE & COMPLIANCE



# SQUARE SHOWER RAIL

## # 90841



### FEATURES

31.5" square rail with adjustable handshower support  
 Triple function square handshower (rain,rain/  
 massage,massage)  
 5' double interlock flexible hose, anti-torsion  
 Reduced water-efficient flow: 1.75 gpm (7.5 L/min)

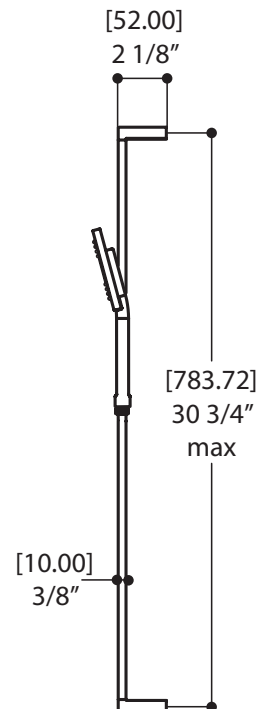
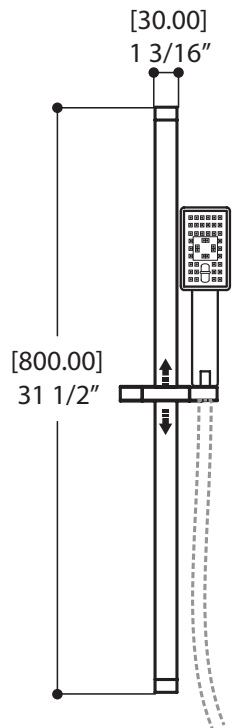
### FINISH

Polished chrome (pc)

### WARRANTY

limited lifetime warranty on the polished chrome finish. All other components and parts carry a limited five-year warranty.

### CODE & COMPLIANCE



# SQUARE WATERWAY

## # 90735



### FEATURES

Innovative 5/8" trim adjustment system to elbow installation  
 1/2" female water inlet - NPT

### FINISH

Polished chrome (pc)

### WARRANTY

limited lifetime warranty on the polished chrome finish. All other components and parts carry a limited five-year warranty.

### CODE & COMPLIANCE

