

ROUND SHOWER RAIL # 90740



FEATURES

- 31.5" stainless steel round rail with adjustable handshower support
- Dual function handshower with Niagara system (fine spray and waterfall)
- 4.5" head
- 5' stainless steel double interlock flexible hose
- Reduced water-efficient flow: 1.75 gpm (6.6 L/min)

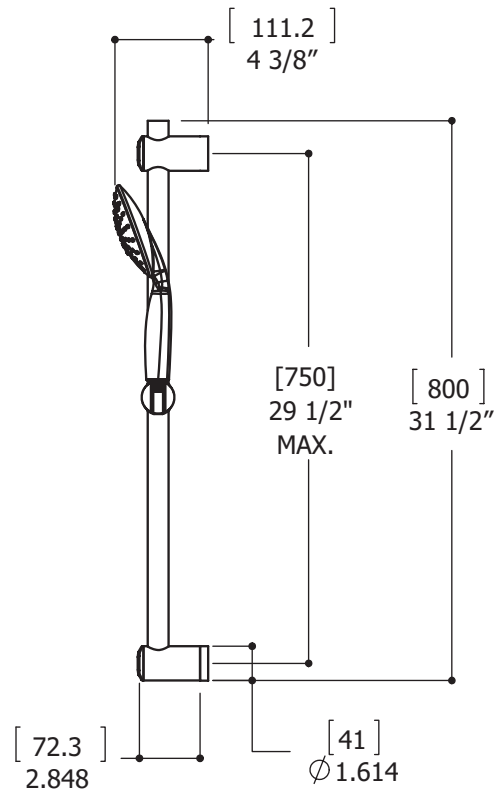
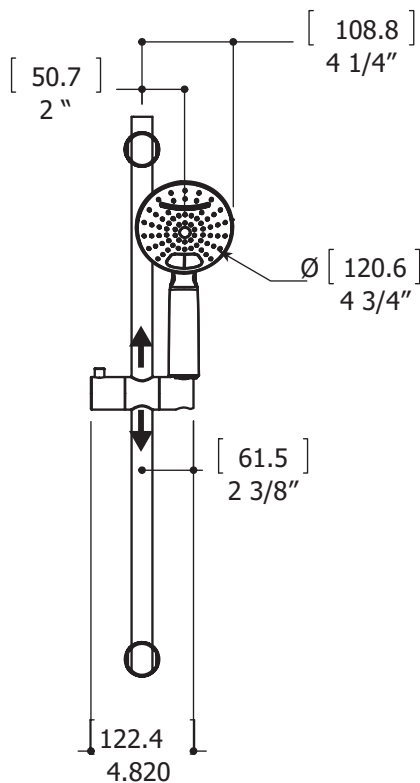
FINISH

Polished chrome (pc)

WARRANTY

limited lifetime warranty on the polished chrome finish. All other components and parts carry a limited five-year warranty.

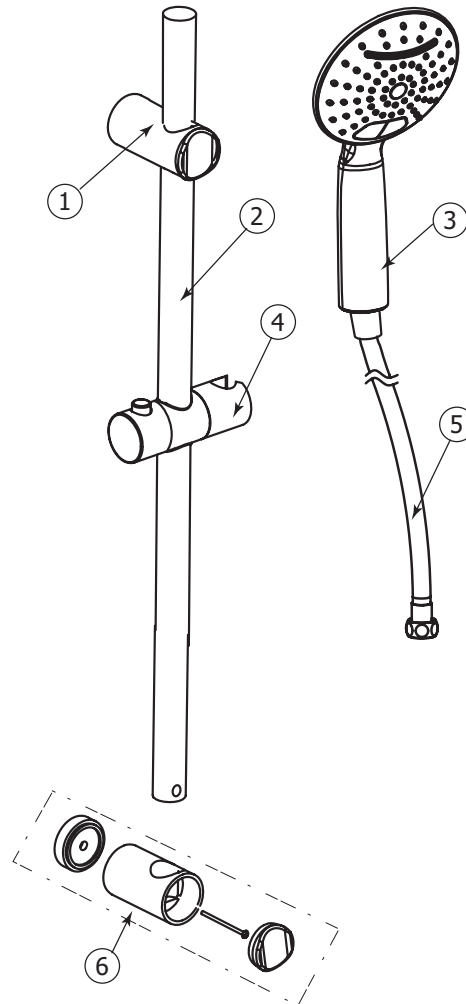
CODE & COMPLIANCE



ROUND SHOWER RAIL

90740

SHOWER RAIL COMPONENTS



EXPLOSION PARTS

- 1 ALT7-90-637-01: **top wall support**
- 2 ALT7-90-640-01: **shower rail tube**
- 3 ALT7-90-715-01: **round handshower**
- 4 ALT7-90-639-01: **handshower holder**
- 5 ALT7-90-749-01: **flexible hose**
- 6 ALT7-90-638-01: **bottom wall support**