

# MISTO

## # 30822-30823

Pressure balance valve trim kit with diverter  
 for #90800 - #90802 - #90810 valves



### FEATURES

Rectangular trim  
 Single volume and temperature control lever  
 Ceramic cartridges (2-way or 3-way) and handles included  
 Pressure balance valve Uniplex P.2.3 not included

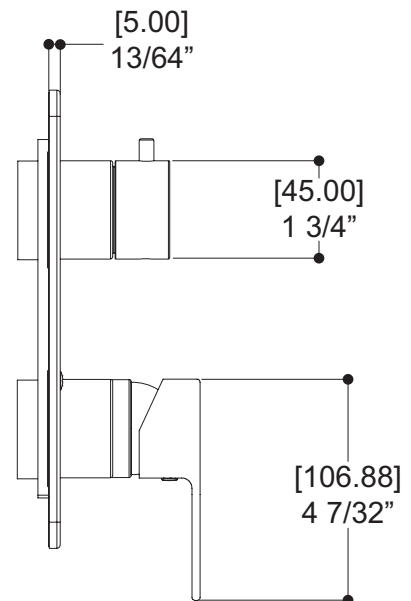
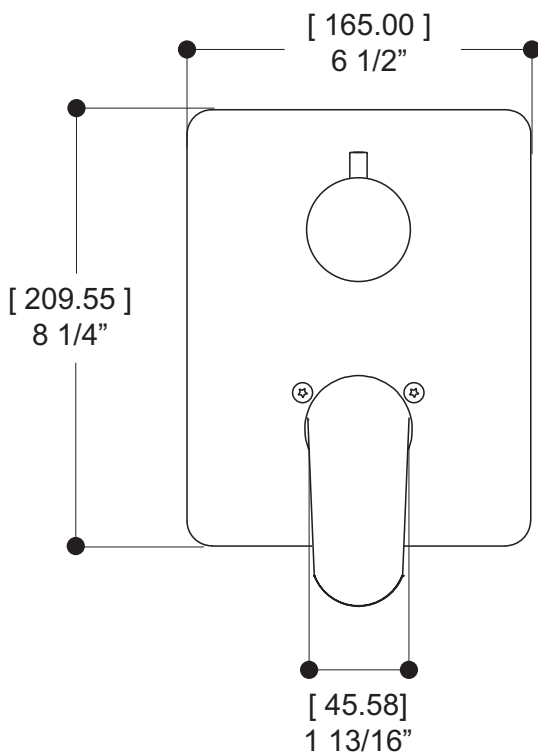
### FINISH

Polished chrome (pc)

### WARRANTY

limited lifetime warranty on all cartridges and also on the polished chrome finish. All other components and parts carry a limited five-year warranty.

### CODE & COMPLIANCE



last revision : 07/26/2017