

SQUARE SHOWER RAIL #90741



FEATURES

- 31.5" stainless steel square rail with adjustable handshower support
- 4.5" dual function square handshower with Niagara system (fine spray and waterfall)
- 5' stainless steel double interlock flexible hose
- Reduced water-efficient flow: 1.75 gpm (6.6 L/min)

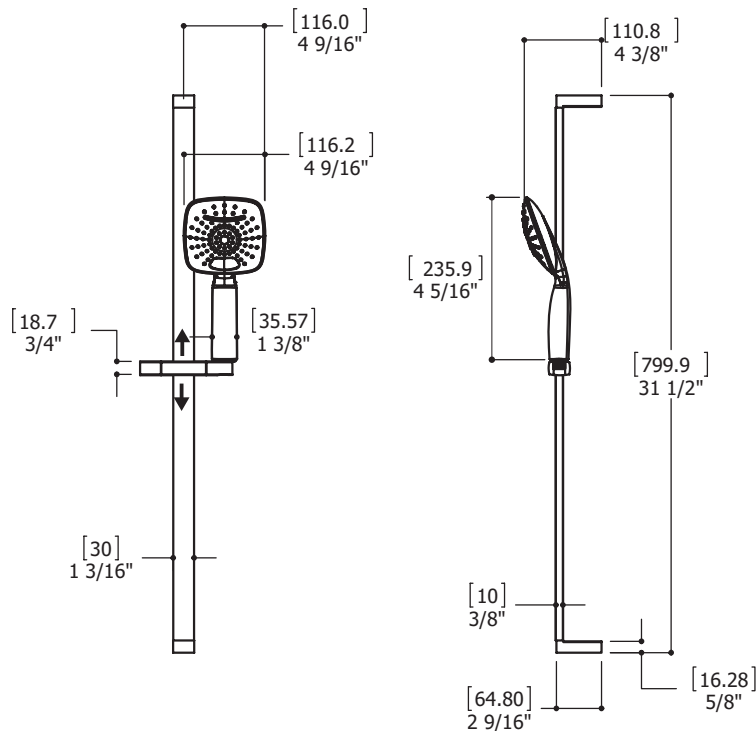
FINISH

Polished chrome (pc)

WARRANTY

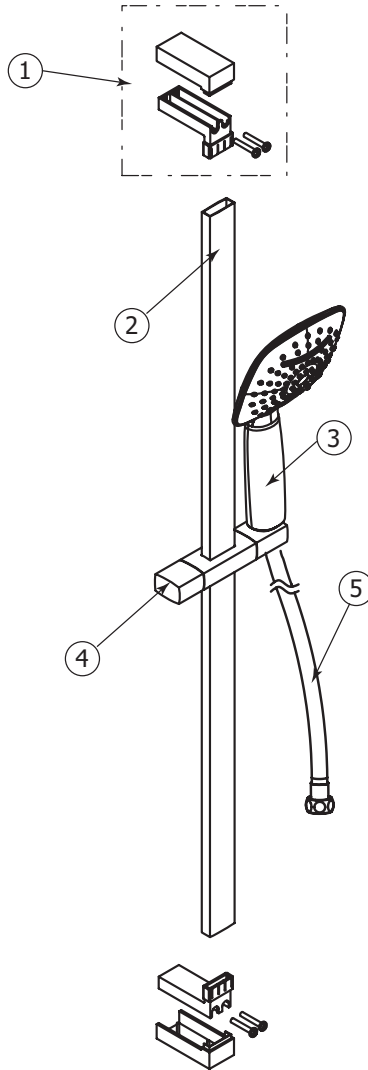
limited lifetime warranty on all cartridges and also on the polished chrome finish. All other components and parts carry a limited five-year warranty.

CODE & COMPLIANCE



SQUARE SHOWER RAIL #90741

SHOWER RAIL COMPONENTS



EXPLOSION PARTS

- 1 ALT7-90-633-01: wall support
- 2 ALT7-90-641-01: shower rail tube
- 3 ALT7-90-716-01: square handshower
- 4 ALT7-90-642-01: handshower holder
- 5 ALT7-90-749-01: flexible hose