

EXPOQUADRA #90611

thermostatic shower column



FEATURES

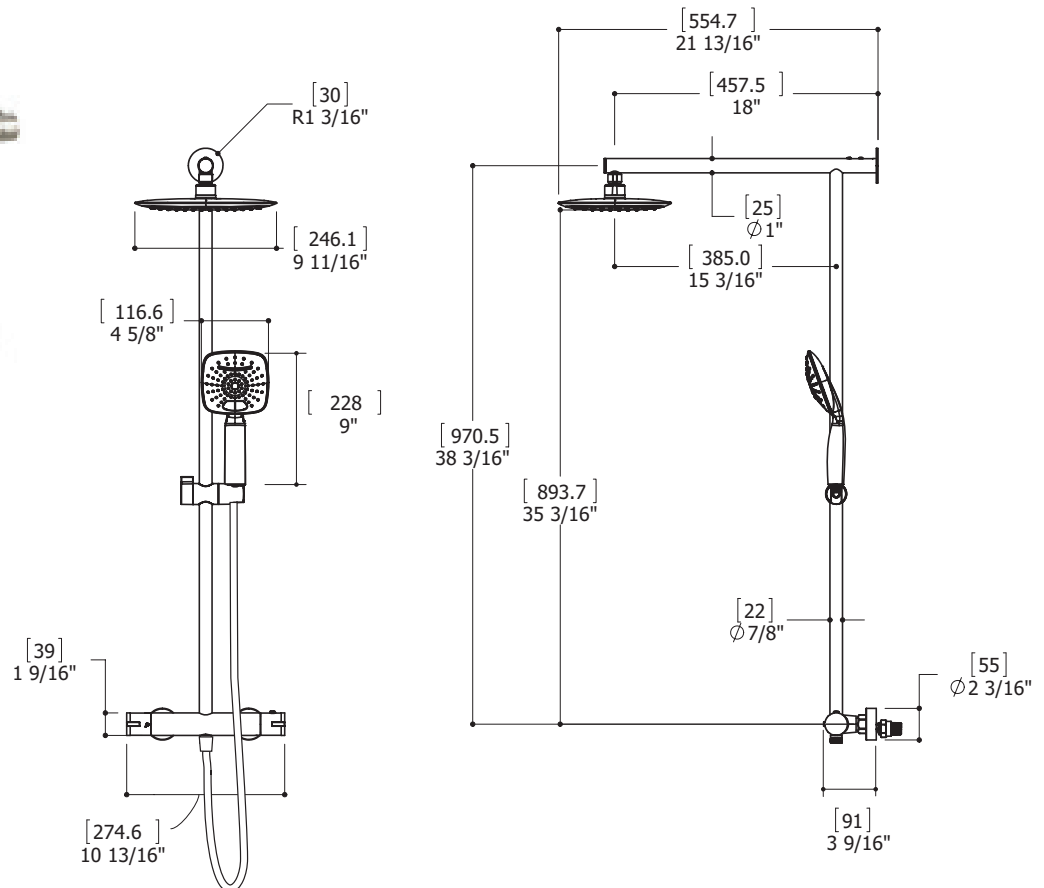
- 1/2" thermostatic valve with 2-way diverter
- 8" square rainhead
- 2-function square handshower with Niagara system: fine jets and cascade
- 5' stainless steel double braided flexible hose, anti-torsion
- 1/2" NPT male inlets
- Flow rate: 1.75 gpm (6.6L/m) for both rainhead and handshower

FINISH

Polished chrome (pc)

WARRANTY

limited lifetime warranty on all cartridges and also on the polished chrome finish. All other components and parts carry a limited five-year warranty.



last revision : 01/10/2012