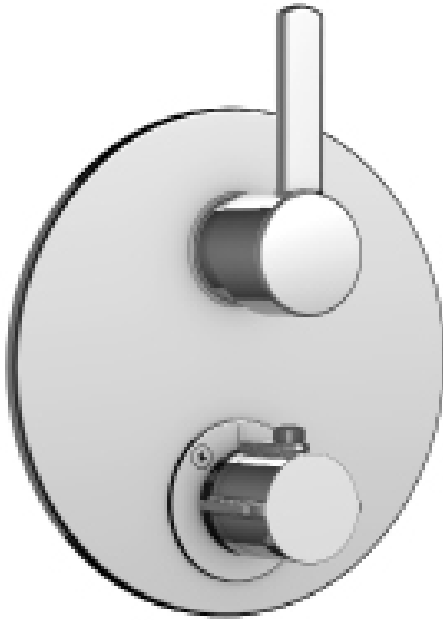


CIRCO #40785

thermostatic valve trim kit for #90701 valve



FEATURES

Round trim
 Handle for 2-way diverter with integrated volume control
 Handle for thermostatic mixing valve
 Safety temperature stop, preset at 38°C
 Thermostatic valve rough and cartridge not included

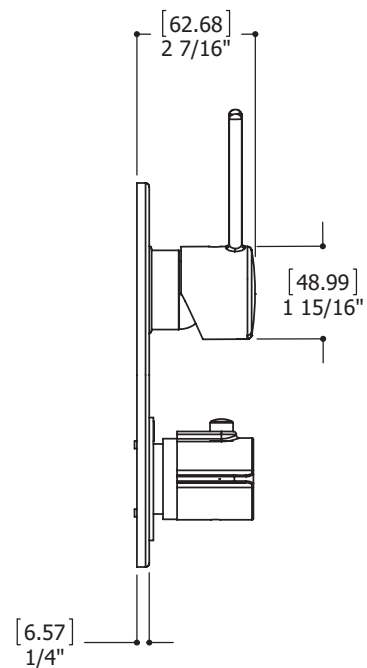
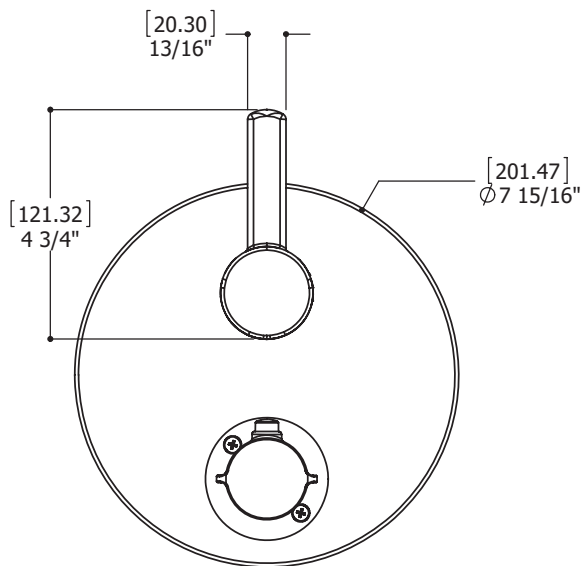
FINISH

Polished chrome (pc)

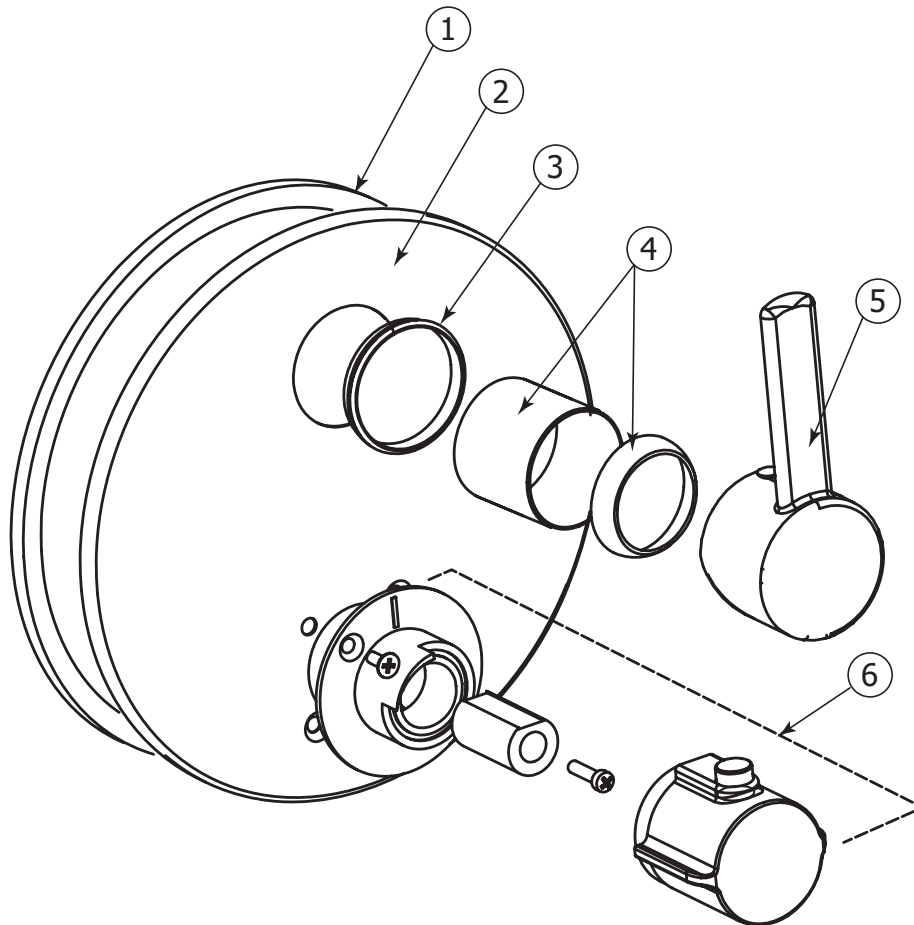
WARRANTY

limited lifetime warranty on all cartridges and also on the polished chrome finish. All other components and parts carry a limited five-year warranty.

CODE & COMPLIANCE



TRIM COMPONENTS



EXPLOSION PARTS

- 1 **ALT7-90-670-00**: adhesive seal
- 2 **ALT7-90-650-01**: trim plate
- 3 **ALT7-90-673-01**: seal ring
- 4 **ALT7-90-672-00**: decorative sleeve kit seal ring
- 5 **ALT7-40-774-01**: diverter handle
- 6 **ALT7-90-674-01**: thermostatic handle kit