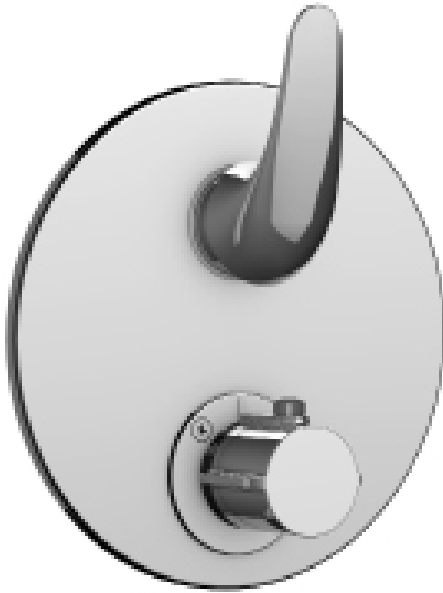


# VOLO #10785

thermostatic valve trim kit for #90701 valve



## FEATURES

Round trim  
 Handle for 2-way diverter with integrated volume control  
 Handle for thermostatic mixing valve  
 Safety temperature stop, preset at 38°C  
 Thermostatic valve rough and cartridge not included

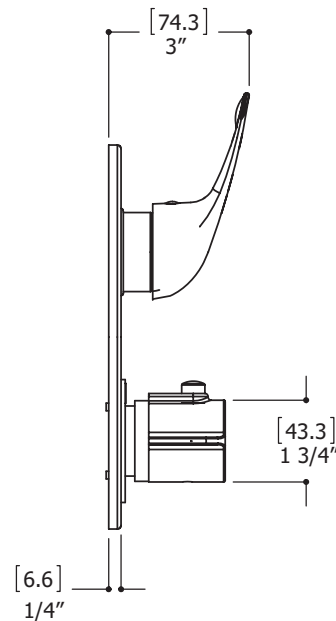
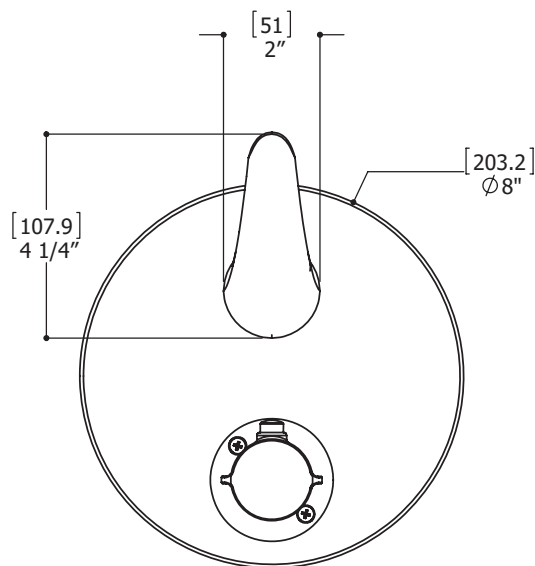
## FINISH

Polished chrome (pc)

## WARRANTY

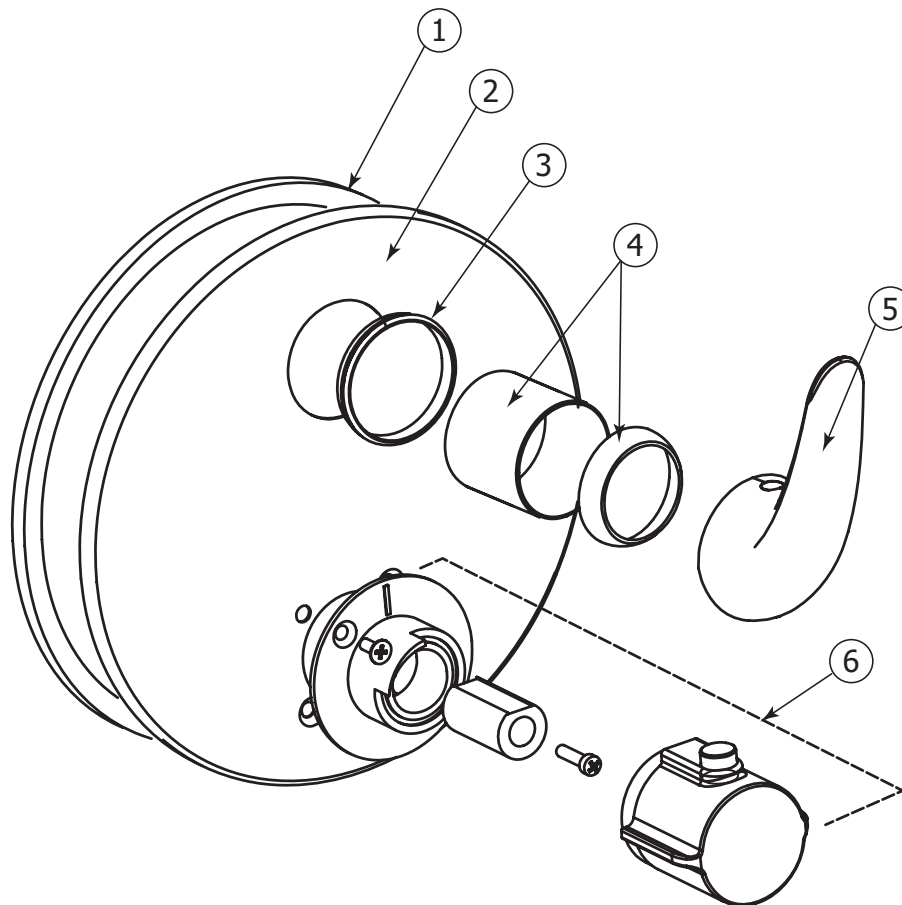
limited lifetime warranty on all cartridges and also on the polished chrome finish. All other components and parts carry a limited five-year warranty.

## CODE & COMPLIANCE



## TRIM COMPONENTS

---



## EXPLOSION PARTS

---

- 1 **ALT7-90-670-01**: adhesive seal
- 2 **ALT7-90-650-01**: trim plate
- 3 **ALT7-90-672-00**: seal ring
- 4 **ALT7-90-673-01**: decorative sleeve kit
- 5 **ALT7-10-774-01**: diverter handle
- 6 **ALT7-90-674-01**: thermostatic handle kit